



17,000 DWT / 2 x 45 mt



BRIESE SCHIFFAHRT

Vessel name	Built	IMO no.	Flag
Cap Salia	09/2008	9386988	Antigua & Barbuda
Julius []	2008	9431331	Antigua & Barbuda

Vessel name	Built	IMO no.	Flag
Wybelsum (glass)	06/2008	9386976	Gibraltar

Ship's Basics

Type	Container Vessel Singledecker
Builder	Weihai Shipyard / China
Classification	GL + 100 A5 E3 + MC AUT E3 equipped for carriage of dangerous goods, SOLAS II-2, Reg. 19, IW

Dimensions & Main Data

Tonnage GT/NT	15,633 / 6,717
Deadweight (summer)	17,000 mt (Wybelsum 17,083 mt)
Length o.a.	161.35 m
Length p.p.	151.35 m
Beam	25.00 m
Max. draft (summer)	9.90 m
Max. speed	19.5 knots
Service speed	19.2 knots
Consumption at sea	52.0 mt fuel per day + 2.2 mt AE [2.5 mt AE]
Eco speed	16.0 knots
Consumption eco speed	30.0 [29.0] mt fuel per day + 2.2 mt AE [2.5 mt AE]
Ultra eco speed	11.5 knots
Consumption ultra eco	15.0 mt fuel per day + 2.2 mt AE [2.5 mt AE]
Consumption in port	2.0 mt fuel per day (with crane operations) [2.33 mt] 1.3 mt fuel per day (without crane operations)
Fuel on ME	RMG 380 / RME 180 / MGO DMA / MDO DMB
Fuel on AE	RMG 380 / RME 180 / MGO DMA
Tank capacities	RMG 380 / RME 180 abt. 1,600 cbm MGO DMA / MDO DMB abt. 150,000 cbm Ballast abt. 8,053 cbm Freshwater abt. 273 cbm

Propulsion

Main Engine	MAN B&W 6S60MC-C, 13.560 kW
Aux.-Engines	MAK, 3 x 1,020 kW [MAN, 3 x 1.120 kW]
Propeller	Fixed pitch propeller

Hold and Hatch

Hold and Hatch	4 Holds / 8 Hatches
Hatch cover type	Pontoon type
Floor space under deck	1,662 sqm (17,889 sqft)
Floor space on deck	1,873 sqm (20,160 sqft)
Tweendeck	n / a
Bulkheads	n / a

Cargo Gear

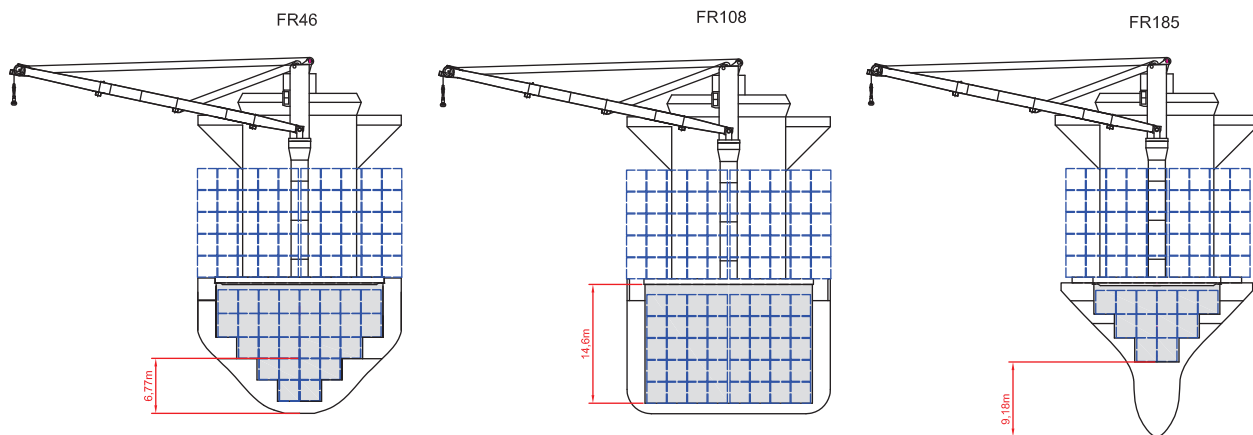
Type	2 x 45 mt Mac Gregor
Hoisting speed	variable up to 34.00 m/min with SWL 18.00 mt for quick and fast operations
Situated	Between hatches in centreline of the ship

Container Capacity

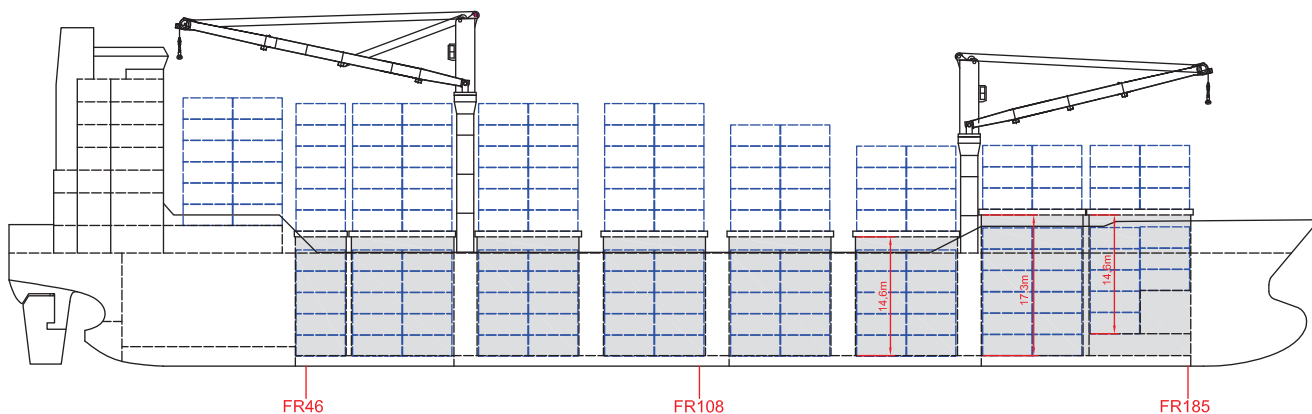
Capacity	20' / 40' + 20'
Hold	876 / 409 [377] / 58
Deck	492 / 226 / 40
Total	1368 / 635 [603] / 98
TEU at 14 mt	870
Reeferplugs	258, whereof 120 in holds and 130 on deck
Stackload	20' / 40'
Tanktop	120 mt / 150 mt
Deck	70 mt / 120 mt (except on hatch 1-4: 104 mt)
Specials	Equipped for high cubes (9'6") 45' container on deck and wide bodies on deck Fixed cell-guide system in holds for 40' container

Special Equipment / Features

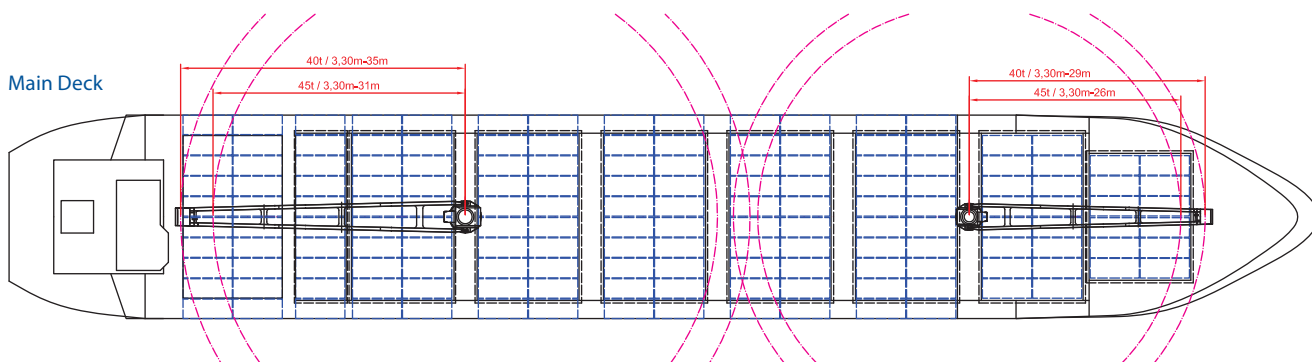
IMO classes	Fitted for carriage of dangerous goods of all IMO classes
Other	Antiheeling System available, fully cellular (fixed) Bow thruster



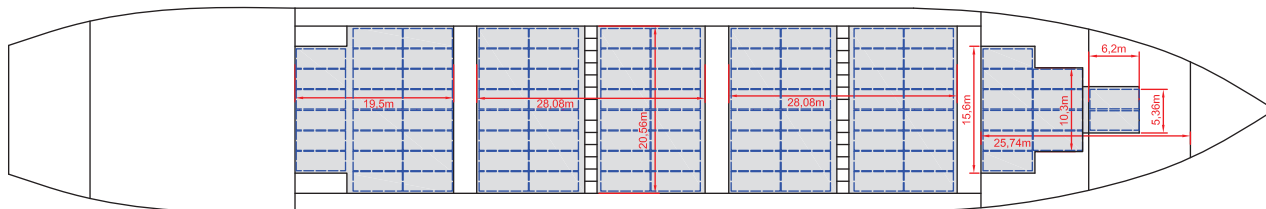
Side View



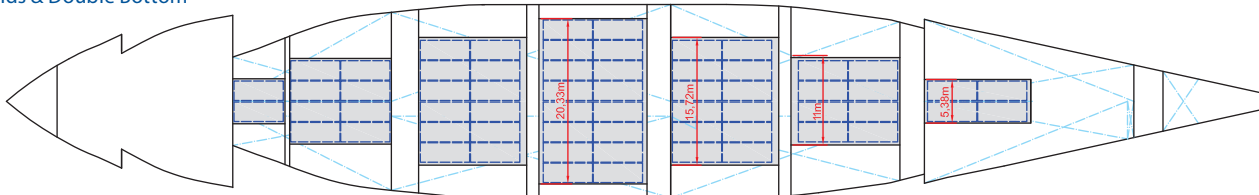
Main Deck



Tweendeck



Holds & Double Bottom



Max. speed is calculated basis 85% MCR, ballast condition, no deck cargo, maximum Beaufort 2, no swell, no adverse currents, clean hull and even keel. Service Speed and consumption at sea is calculated basis 75% MCR, laden condition, no deck cargo, maximum Beaufort 2, no swell, no adverse currents, clean hull and even keel. Eco speed is the minimum continuous speed in laden condition. Consumption data assumes reefer plugs and shaft generator disconnected but including AE if no shaft generator is installed. EEXI and CII related adjustments of speed and consumption are not considered. Vessel is burning fuel according to ISO 8217. Intake is always subject to vessel's stability, trim, permissible weights and is subject to regulations of visibility. Lifting capacity of vessel's cranes is subject to vessel's stability and can depend on cargo/ ballast on board. Container data as well as bale capacity assumes tweendeck ashore. All details including speed and consumption are given in good faith and are "about" and are given without guarantee. They must not be used as basis for charterparties or contracts without owner's explicit written authority.